

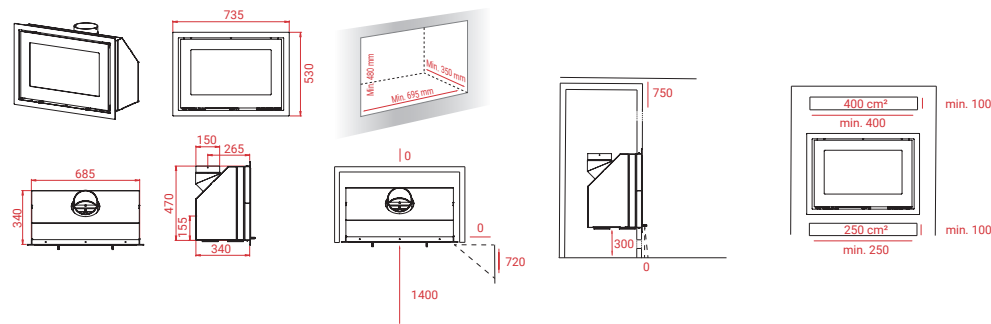
# H370

# H370

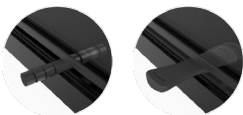
## Tekniske specifikationer:



87 kg
12 PA
5,8 kW
30-110 m <sup>2</sup>
Mg/M <sup>3</sup> 28
1,66 kg
77/67 %

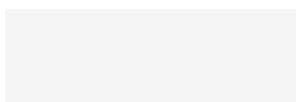


## Tilbehør:



## Andre modeller:

- H470
- H470W
- H570
- H570W
- H700
- H570T



## Se mere:



LOTUS HEATING SYSTEMS A/S

+45 6323 7070

info@lotusstoves.com

www.lotusstoves.com



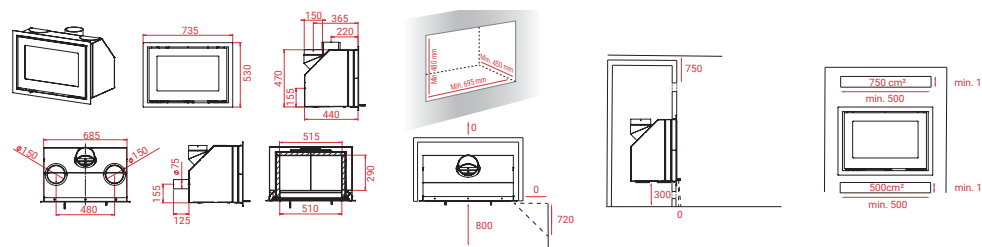
# H470

# H470

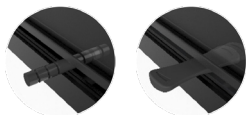
## Tekniske specifikationer:



<b>KG</b> 95 kg
12 PA
6 kW
30-120 m <sup>2</sup>
<b>Mg/M<sup>3</sup></b> 18
1,8 kg
84/74 %

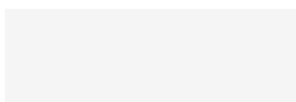


## Tilbehør:



## Andre modeller:

- H370
- H470W
- H570
- H570W
- H700
- H570T



## Se mere:



LOTUS HEATING SYSTEMS A/S

+45 6323 7070

info@lotusstoves.com

www.lotusstoves.com

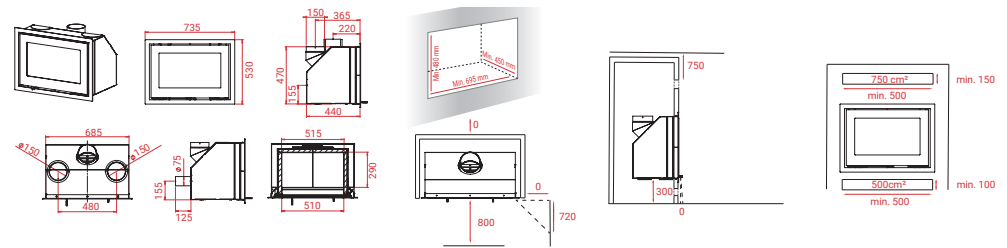


# H470W

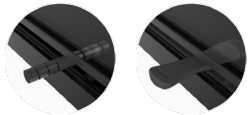
## Tekniske specifikationer:



<b>KG</b> 120 kg
12 PA
7 kW
40-170 m <sup>2</sup>
<b>Mg/M<sup>3</sup></b> 19,4
1,87 kg
81/71 %

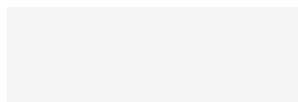


## Tilbehør:



## Andre modeller:

- H370
- H470
- H570
- H570W
- H700
- H570T



## Se mere:



LOTUS HEATING SYSTEMS A/S

+45 6323 7070

info@lotusstoves.com

www.lotusstoves.com



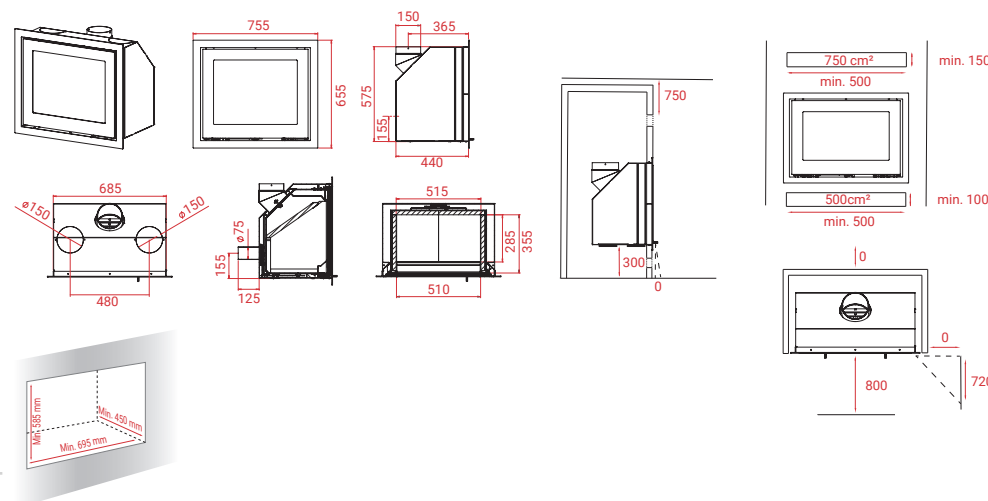
# H570

# H570

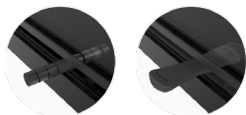


## Tekniske specifikationer:

<b>KG</b> 111 kg
12 PA
6 kW
30-130 m <sup>2</sup>
<b>Mg/M<sup>3</sup></b> 18
1,8 kg
84/74 %

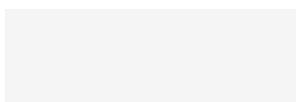


## Tilbehør:



## Andre modeller:

- H370
- H470
- H470W
- H570W
- H700
- H570T



## Se mere:



LOTUS HEATING SYSTEMS A/S

+45 6323 7070

info@lotusstoves.com







www.lotusstoves.com

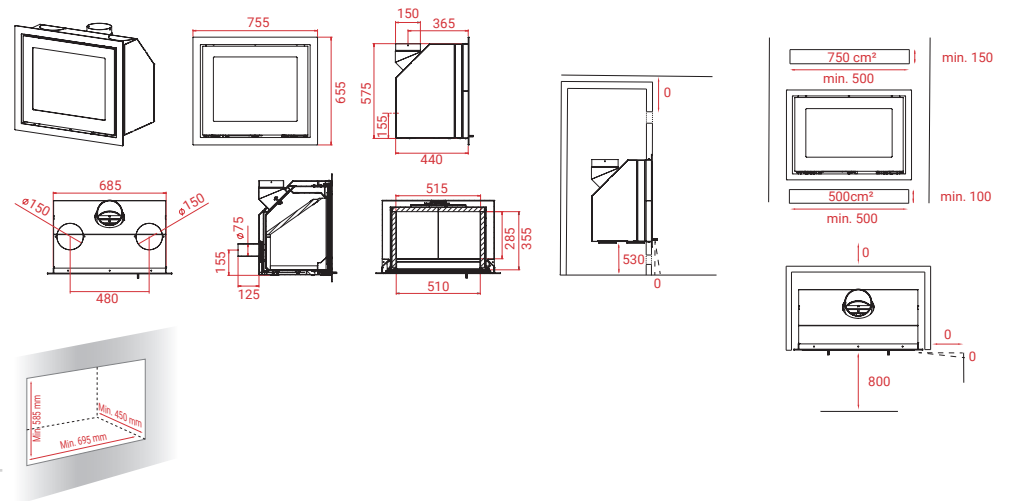


# H570 ecoLine

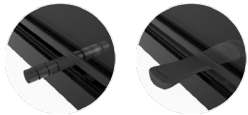


## Tekniske spesifikationer:

 <b>KG</b>	111 kg
 <b>PA</b>	12 PA
 <b>kW</b>	6 kW
 <b>m²</b>	30-130 m²
<b>Mg/M³</b>	12
 <b>kg</b>	1,68 kg
 <b>%</b>	86/76 %

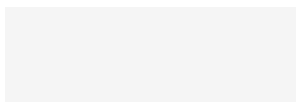


## Tilbehør:



## Andre modeller:

H570W ecoLine



## Se mere:



LOTUS HEATING SYSTEMS A/S

+45 6323 7070

info@lotusstoves.com

www.lotusstoves.com

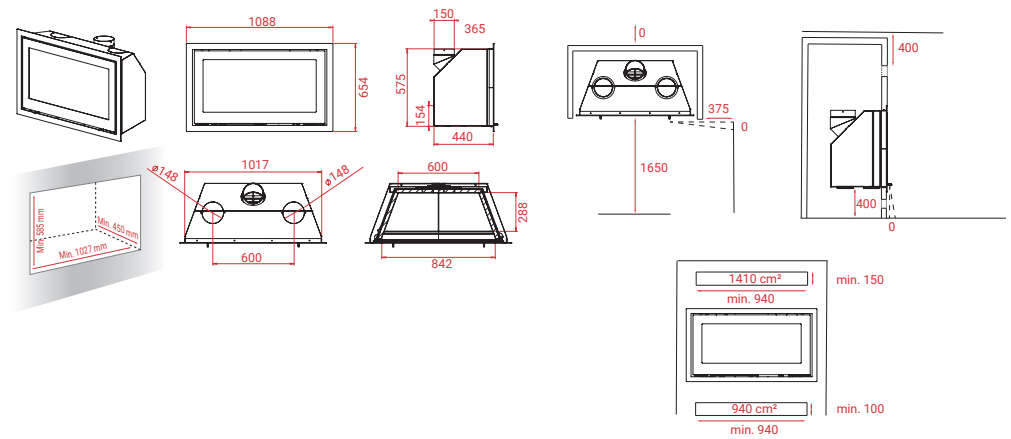


# H570W

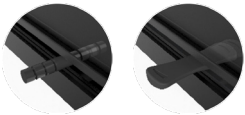
## Tekniske specifikationer:



154 kg
12 PA
7 kW
40-170 m <sup>2</sup>
<b>Mg/M<sup>3</sup></b> 21
1,87 kg
80/70 %

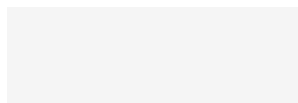


## Tilbehør:



## Andre modeller:

H370  
H470  
H470W  
H570  
H700  
H570T



## Se mere:



LOTUS HEATING SYSTEMS A/S

+45 6323 7070

info@lotusstoves.com

www.lotusstoves.com

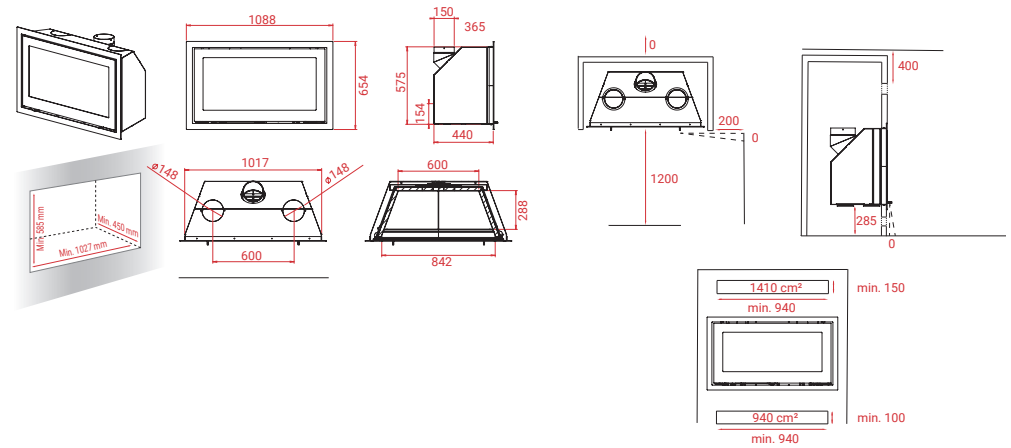


# H570W ecoLine

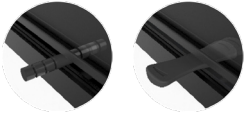
Tekniske spesifikationer:



<b>KG</b>	154 kg
<b>PA</b>	12 PA
<b>kW</b>	6,5 kW
<b>m<sup>2</sup></b>	40-170 m <sup>2</sup>
<b>Mg/M<sup>3</sup></b>	12
<b>%</b>	1,87 kg
	87/77 %

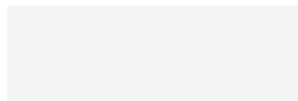


Tilbehør:



Andre modeller:

H570 ecoLine



Se mere:



LOTUS HEATING SYSTEMS A/S

+45 6323 7070

info@lotusstoves.com

www.lotusstoves.com



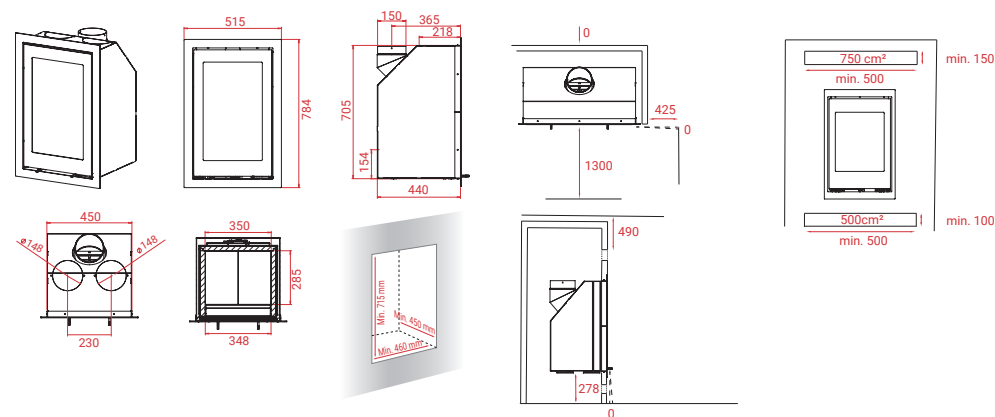
# H700

# H700

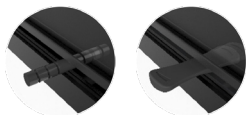
## Tekniske specifikationer:



96 kg
12 PA
6 kW
30-120 m <sup>2</sup>
<b>Mg/M<sup>3</sup></b> 16
1,7 kg
80/70 %

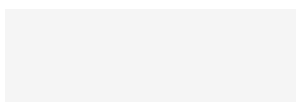


## Tilbehør:



## Andre modeller:

H370  
H470  
H470W  
H570  
H570W  
H570T



## Se mere:



LOTUS HEATING SYSTEMS A/S

+45 6323 7070

info@lotusstoves.com

www.lotusstoves.com

