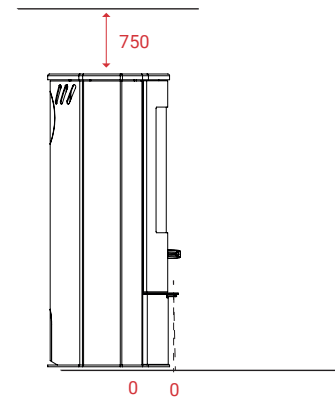
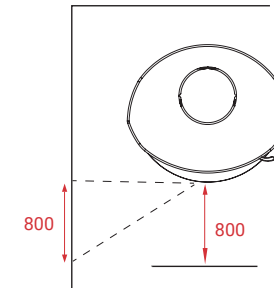
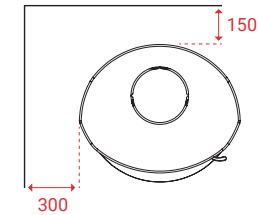
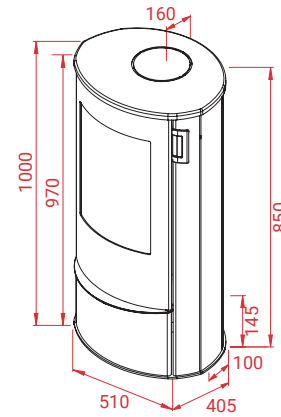


# Liva 5

## Tekniske spesifikationer:



|                             |                       |
|-----------------------------|-----------------------|
| <b>KG</b>                   | 121 kg                |
| <b>12 PA</b>                | 12 PA                 |
| <b>5 kW</b>                 | 5 kW                  |
| <b>30-120 m<sup>2</sup></b> | 30-120 m <sup>2</sup> |
| <b>Mg/M<sup>3</sup></b>     | 27                    |
| <b>1,56 kg</b>              | 1,56 kg               |
| <b>78/68 %</b>              | 78/68 %               |

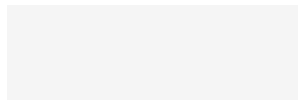


## Tilbehør:



## Andre modeller:

Liva 6  
Liva 7G  
Liva 8G



## Se mere:



LOTUS HEATING SYSTEMS A/S

+45 6323 7070

info@lotusstoves.com

www.lotusstoves.com

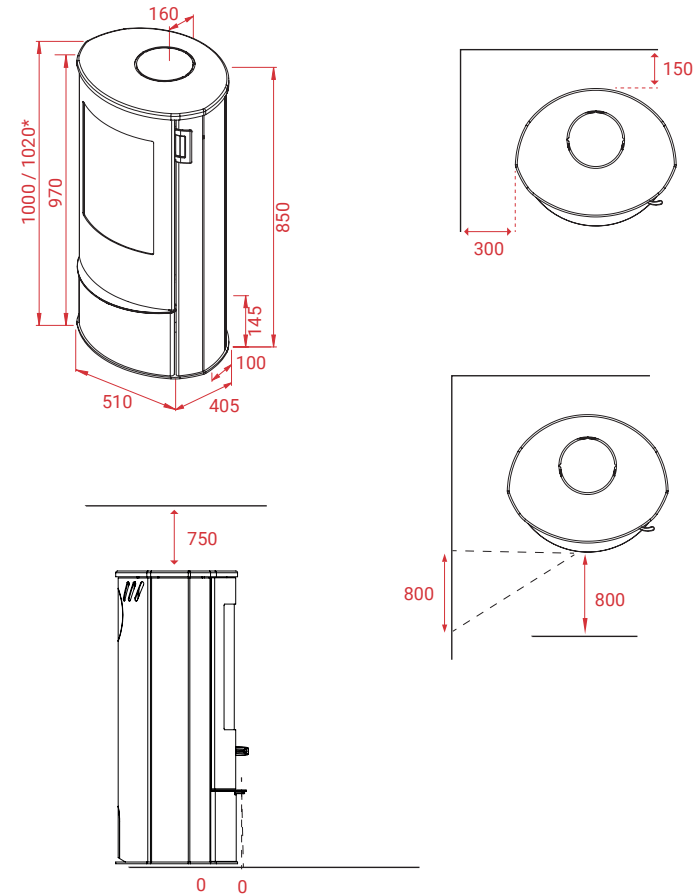


# Liva 5 Fedtsten



## Tekniske specifikationer:

|                            |
|----------------------------|
| 175 kg                     |
| 12 PA                      |
| 5 kW                       |
| 30-120 m <sup>2</sup>      |
| <b>Mg/M<sup>3</sup></b> 27 |
| 1,56 kg                    |
| 78/68 %                    |

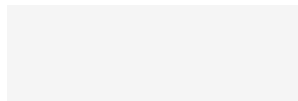


## Tilbehør:



## Andre modeller:

Liva 6  
Liva 7G  
Liva 8G



## Se mere:



LOTUS HEATING SYSTEMS A/S

+45 6323 7070

info@lotusstoves.com

www.lotusstoves.com



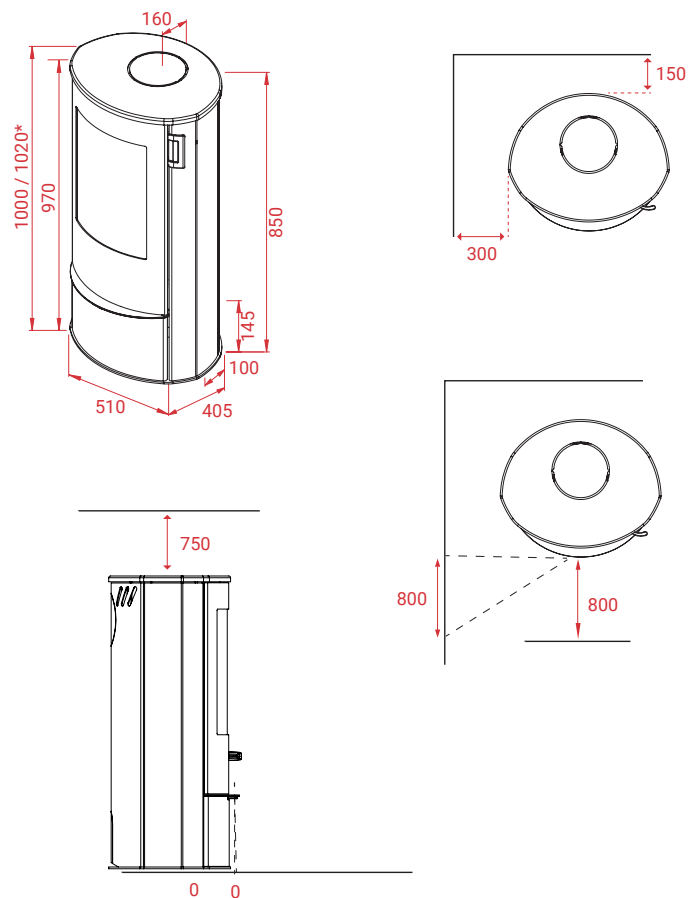
# Liva 5 Indian Night



## Tekniske spesifikationer:

|                            |
|----------------------------|
| 175 kg                     |
| 12 PA                      |
| 5 kW                       |
| 30-120 m <sup>2</sup>      |
| <b>Mg/M<sup>3</sup></b> 27 |
| 1,56 kg                    |
| 78/68 %                    |

# Liva 5 Indian Night

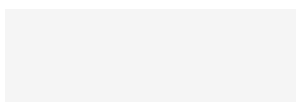


## Tilbehør:



## Andre modeller:

Liva 6  
Liva 7G  
Liva 8G



## Se mere:



LOTUS HEATING SYSTEMS A/S

+45 6323 7070

info@lotusstoves.com

www.lotusstoves.com

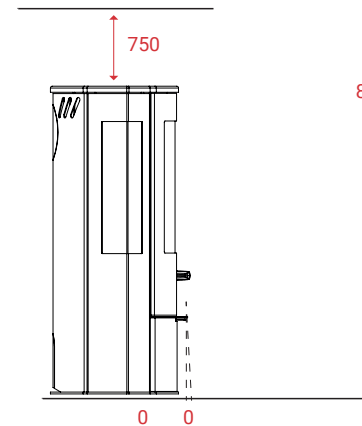
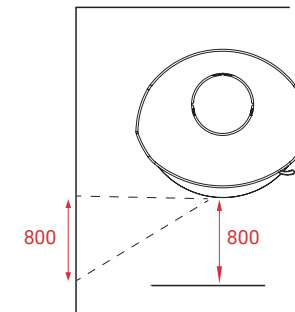
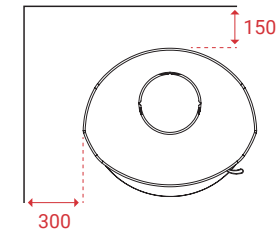
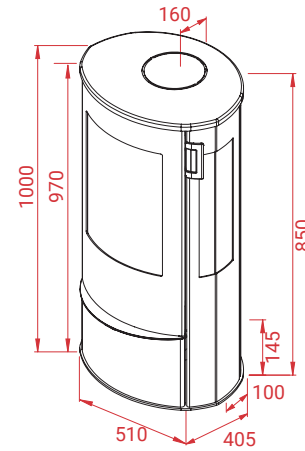


# Liva 5G



## Tekniske specifikationer:

|                            |
|----------------------------|
| 175 kg                     |
| 12 PA                      |
| 5 kW                       |
| 30-120 m <sup>2</sup>      |
| <b>Mg/M<sup>3</sup></b> 27 |
| 1,56 kg                    |
| 78/68 %                    |

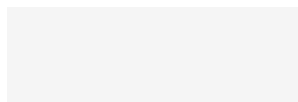


## Tilbehør:



## Andre modeller:

Liva 6  
Liva 7G  
Liva 8G



## Se mere:



LOTUS HEATING SYSTEMS A/S

+45 6323 7070

info@lotusstoves.com

www.lotusstoves.com

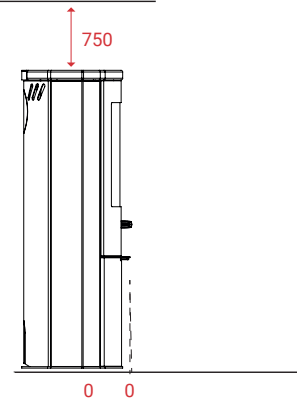
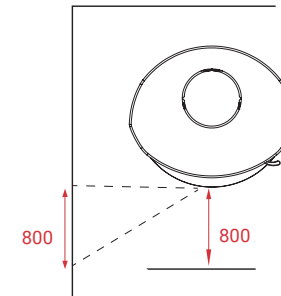
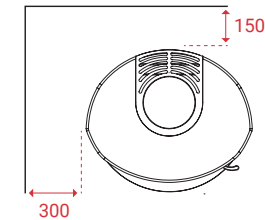
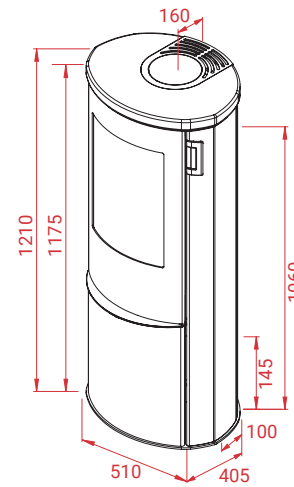


# Liva 6



## Tekniske specifikationer:

|                            |
|----------------------------|
| 133 kg                     |
| 12 PA                      |
| 5 kW                       |
| 30-120 m <sup>2</sup>      |
| <b>Mg/M<sup>3</sup></b> 27 |
| 1,56 kg                    |
| 78/68 %                    |

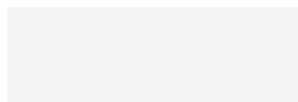


## Tilbehør:



## Andre modeller:

Liva 5  
Liva 7G  
Liva 8G



## Se mere:



LOTUS HEATING SYSTEMS A/S

+45 6323 7070

info@lotusstoves.com

www.lotusstoves.com

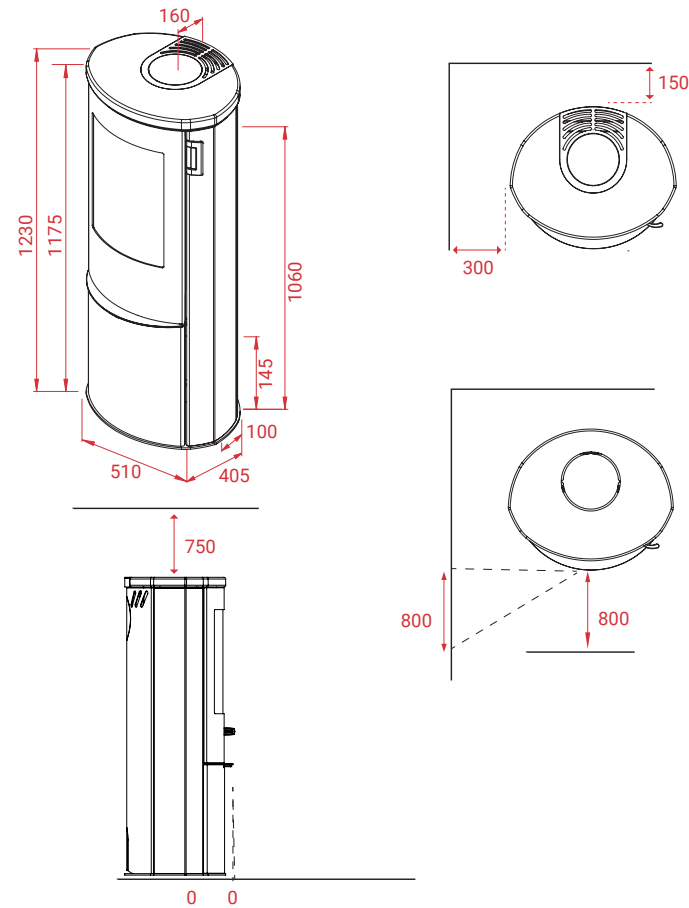


# Liva 6 Fedtsten



## Tekniske specifikationer:

|                         |                       |
|-------------------------|-----------------------|
| <b>KG</b>               | 192 kg                |
|                         | 12 PA                 |
|                         | 5 kW                  |
|                         | 30-120 m <sup>2</sup> |
| <b>Mg/M<sup>3</sup></b> | 27                    |
|                         | 1,56 kg               |
|                         | 78/68 %               |

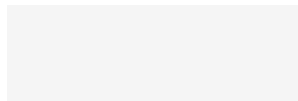


## Tilbehør:



## Andre modeller:

Liva 5  
Liva 7G  
Liva 8G



## Se mere:



LOTUS HEATING SYSTEMS A/S

+45 6323 7070

info@lotusstoves.com

www.lotusstoves.com

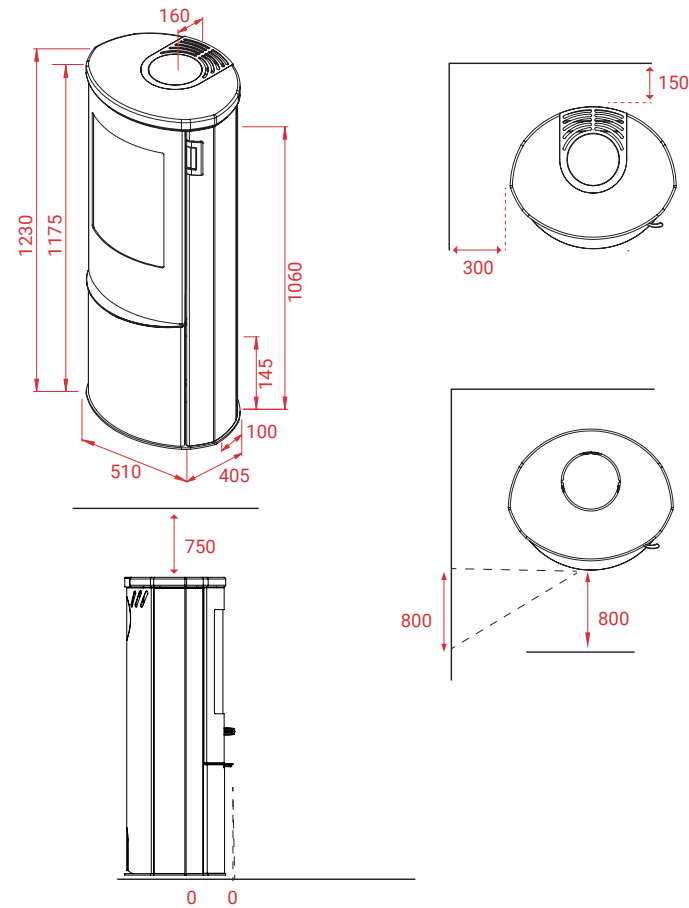


# Liva 6 Indian Night



## Tekniske specifikationer:

|                             |                       |
|-----------------------------|-----------------------|
| <b>KG</b>                   | 192 kg                |
| <b>12 PA</b>                | 12 PA                 |
| <b>5 kW</b>                 | 5 kW                  |
| <b>30-120 m<sup>2</sup></b> | 30-120 m <sup>2</sup> |
| <b>Mg/M<sup>3</sup></b>     | 27                    |
| <b>1,56 kg</b>              | 1,56 kg               |
| <b>78/68 %</b>              | 78/68 %               |

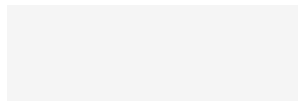


## Tilbehør:



## Andre modeller:

Liva 5  
Liva 7G  
Liva 8G



## Se mere:



LOTUS HEATING SYSTEMS A/S

+45 6323 7070

info@lotusstoves.com

www.lotusstoves.com

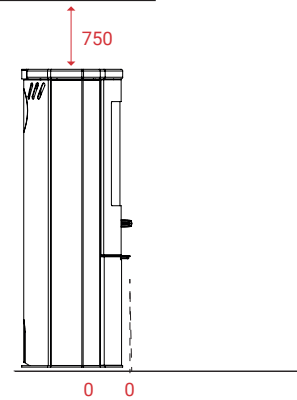
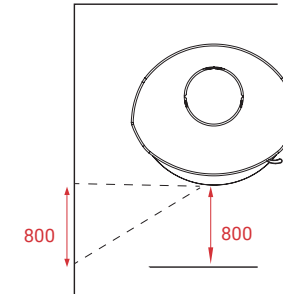
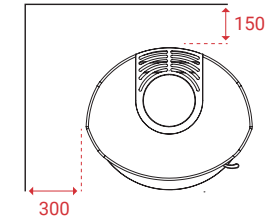
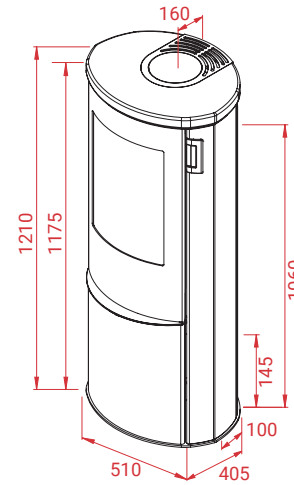


# Liva 6G



## Tekniske specifikationer:

|                             |                       |
|-----------------------------|-----------------------|
| <b>KG</b>                   | 192 kg                |
| <b>12 PA</b>                | 12 PA                 |
| <b>5 kW</b>                 | 5 kW                  |
| <b>30-120 m<sup>2</sup></b> | 30-120 m <sup>2</sup> |
| <b>Mg/M<sup>3</sup></b>     | 27                    |
| <b>1,56 kg</b>              | 1,56 kg               |
| <b>78/68 %</b>              | 78/68 %               |

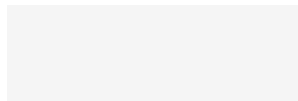


## Tilbehør:



## Andre modeller:

Liva 5  
Liva 7G  
Liva 8G



## Se mere:



LOTUS HEATING SYSTEMS A/S

+45 6323 7070

info@lotusstoves.com

www.lotusstoves.com

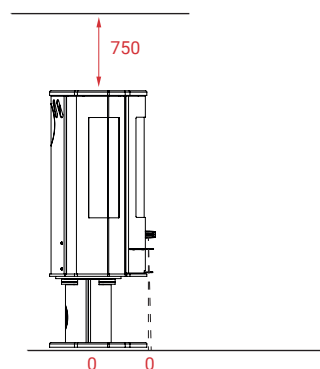
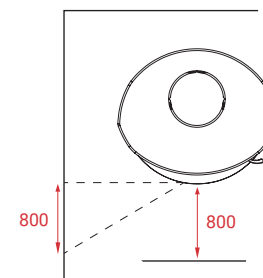
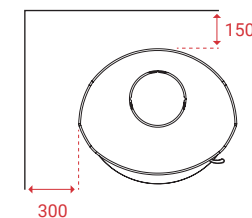
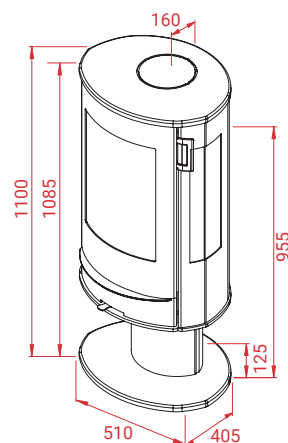


# Liva 7G

## Tekniske specifikationer:



|              |           |
|--------------|-----------|
| <b>KG</b>    | 167 kg    |
| <b>PA</b>    | 12 PA     |
| <b>kW</b>    | 5 kW      |
| <b>m²</b>    | 30-120 m² |
| <b>Mg/M³</b> | 27        |
| <b>kg</b>    | 1,56 kg   |
|              | 78/68 %   |

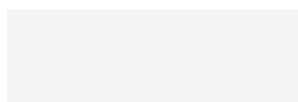


## Tilbehør:



## Andre modeller:

Liva 5  
Liva 6  
Liva 8G



## Se mere:



LOTUS HEATING SYSTEMS A/S

+45 6323 7070

info@lotusstoves.com

www.lotusstoves.com

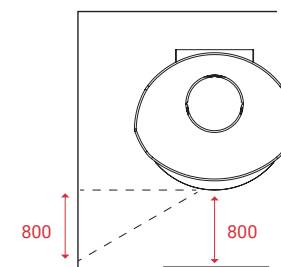
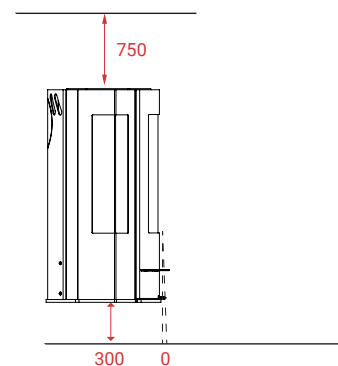
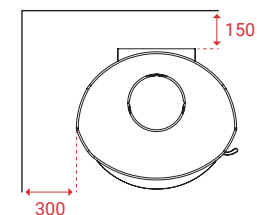
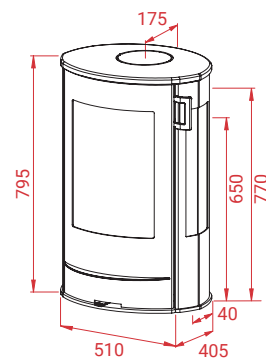


# Liva 8G

## Tekniske specifikationer:



|                            |
|----------------------------|
| 120 kg                     |
| 12 PA                      |
| 5 kW                       |
| 30-120 m <sup>2</sup>      |
| <b>Mg/M<sup>3</sup></b> 27 |
| 1,56 kg                    |
| 78/68 %                    |

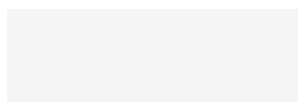


## Tilbehør:



## Andre modeller:

Liva 5  
Liva 6  
Liva 8G



## Se mere:



LOTUS HEATING SYSTEMS A/S

+45 6323 7070

info@lotusstoves.com

www.lotusstoves.com

