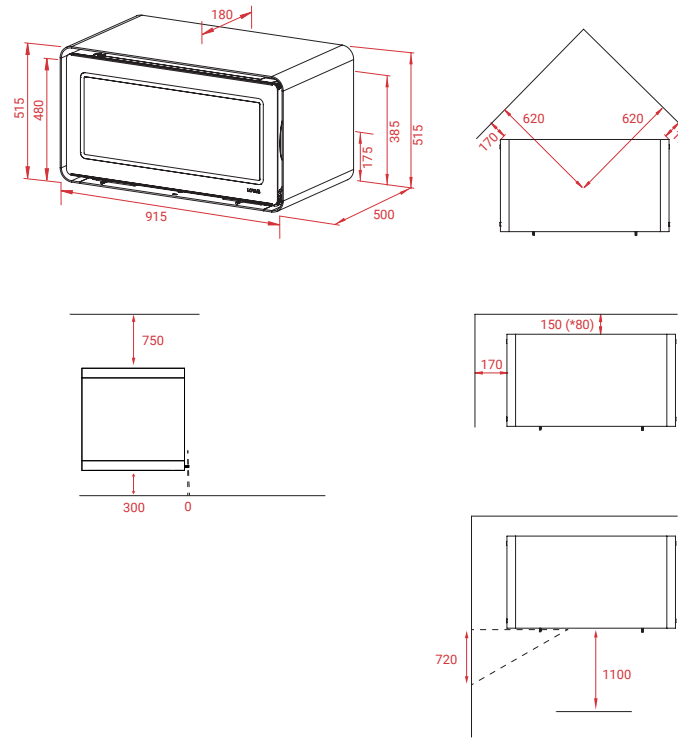


# Living

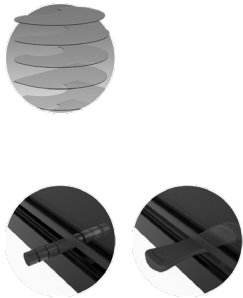
Tekniske specifikationer:



162 kg
12 PA
7 kW
30-140 m <sup>2</sup>
<b>Mg/M<sup>3</sup></b> 19,4
1,87 kg
81/71 %

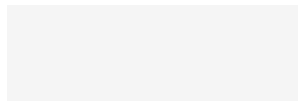


Tilbehør:



Andre modeller:

Living Base  
Living Cube



Se mere:



LOTUS HEATING SYSTEMS A/S

+45 6323 7070

info@lotusstoves.com

www.lotusstoves.com



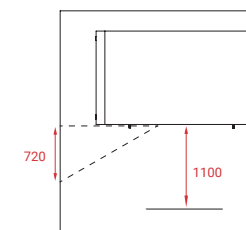
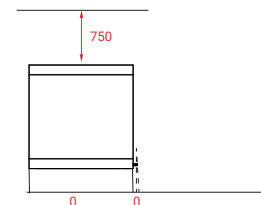
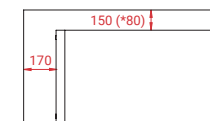
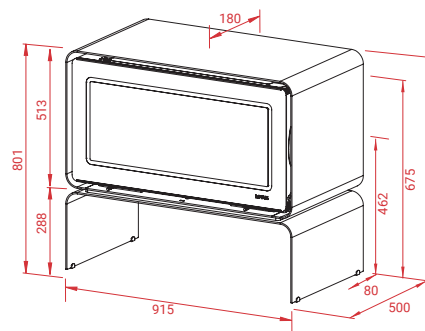
# Living

# Living Base

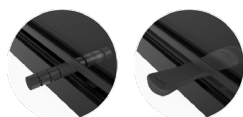


## Tekniske specifikationer:

KG	190 kg
	12 PA
	7 kW
	30-140 m <sup>2</sup>
<b>Mg/M<sup>3</sup></b>	19,4
	1,87 kg
	81/71 %

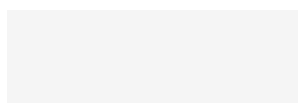


## Tilbehør:



## Andre modeller:

Living  
Living Cube



## Se mere:



LOTUS HEATING SYSTEMS A/S

+45 6323 7070

info@lotusstoves.com

www.lotusstoves.com



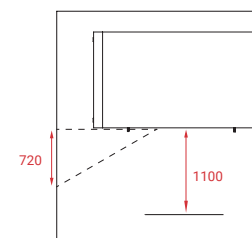
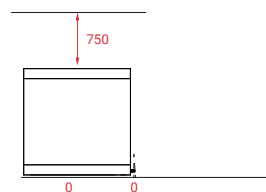
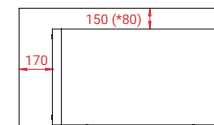
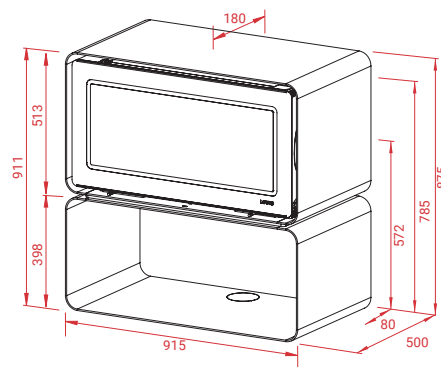
# Living Cube



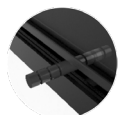
## Tekniske specifikationer:

211 kg
12 PA
7 kW
30-140 m <sup>2</sup>
<b>Mg/M<sup>3</sup></b> 19,4
1,87 kg
81/71 %

# Living Cube

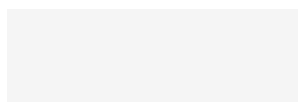


## Tilbehør:



## Andre modeller:

Living  
Living Base



## Se mere:



LOTUS HEATING SYSTEMS A/S

+45 6323 7070

info@lotusstoves.com

www.lotusstoves.com

